



**2-Wire Network Controller ECL-VIPHUB
User's Manual**

V1.0.0

Table of Contents

1	Product Overview	1
1.1	Features	1
1.2	Device Structure	2
2	Installation	3
2.1	DIN-Rail Mount.....	3
2.2	Wall Mount.....	4
2.2.1	Screw.....	4
2.2.2	Installation Steps	4
	Appendix 1 Technical Specification	5

Important Safeguards and Warnings

Please read the following safeguards and warnings carefully before using the product in order to avoid damages and losses.

Note:

- Do not expose the device to lampblack, steam or dust. Otherwise it may cause fire or electric shock.
- Do not install the device at position exposed to sunlight or in high temperature. Temperature rise in device may cause fire.
- Do not expose the device to humid environment. Otherwise it may cause fire.
- The device must be installed on solid and flat surface in order to guarantee safety under load and earthquake. Otherwise, it may cause device to fall off or turnover.
- Do not place the device on carpet or quilt.
- Do not block air vent of the device or ventilation around the device. Otherwise, temperature in device will rise and may cause fire.
- Do not place any object on the device.
- Do not disassemble the device without professional instruction.

Warning:

- Please use battery properly to avoid fire, explosion and other dangers.
- Please replace used battery with battery of the same type.
- Do not use power line other than the one specified. Please use it properly. Otherwise, it may cause fire or electric shock.

Special Announcement

- This manual is for reference only.
- All the designs and software here are subject to change without prior written notice.
- All trademarks and registered trademarks are the properties of their respective owners.
- If there is any uncertainty or controversy, please refer to the final explanation of us.
- Please visit our website for more information.

1 Product Overview

1.1 Features

2-wire network controller supports 4 2-wire devices, to connect into network, see Figure 1- 1

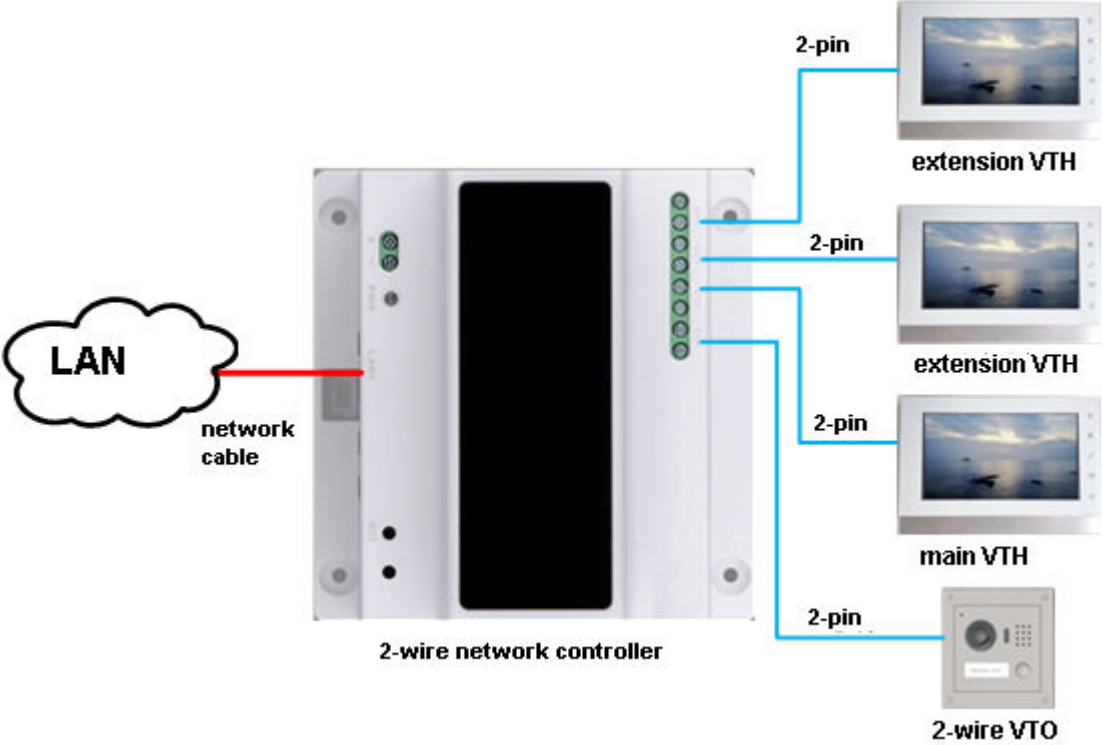


Figure 1- 1

1.2 Device Structure

Device structure is shown in Figure 1- 2.

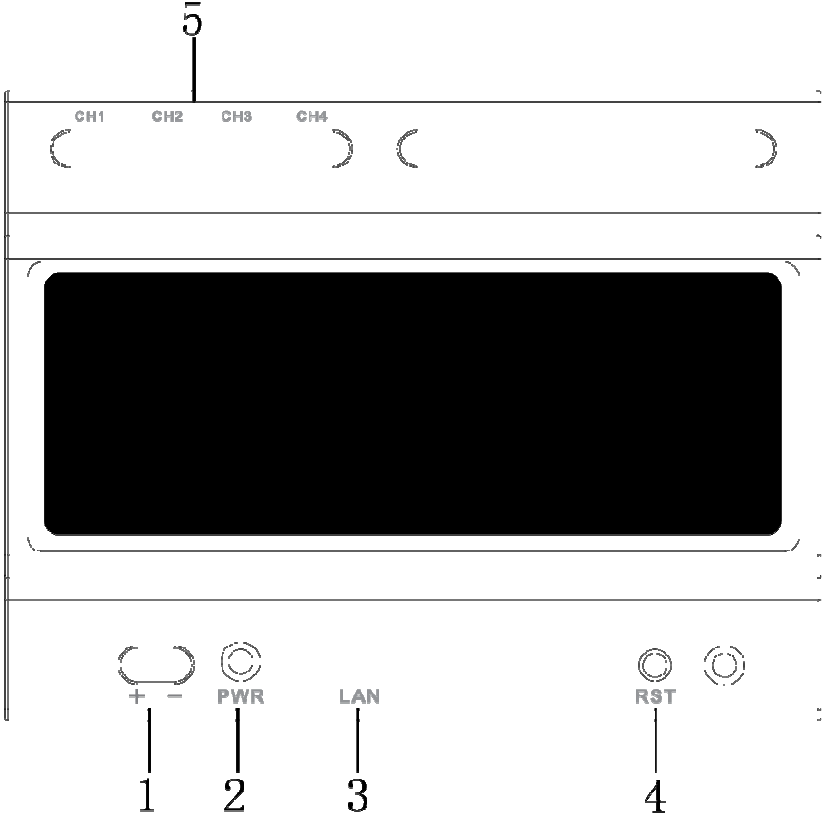


Figure 1- 2

No.	Component	Note
1	Power Port	DC24V±10% input
2	Power Indicator	Normally power on, indicator turns on
3	Network Port	RJ45 port, connect LAN
4	Reset	Reboot device
5	2-wire port	4 groups of 2-wire port, connect to other 2-wire devices

2 Installation

2.1 DIN-Rail Mount

Hang the 2-wire network controller on the installation bracket with a hook. Press the 2-wire network controller, make buckle click into installation bracket. See Figure 2- 1.

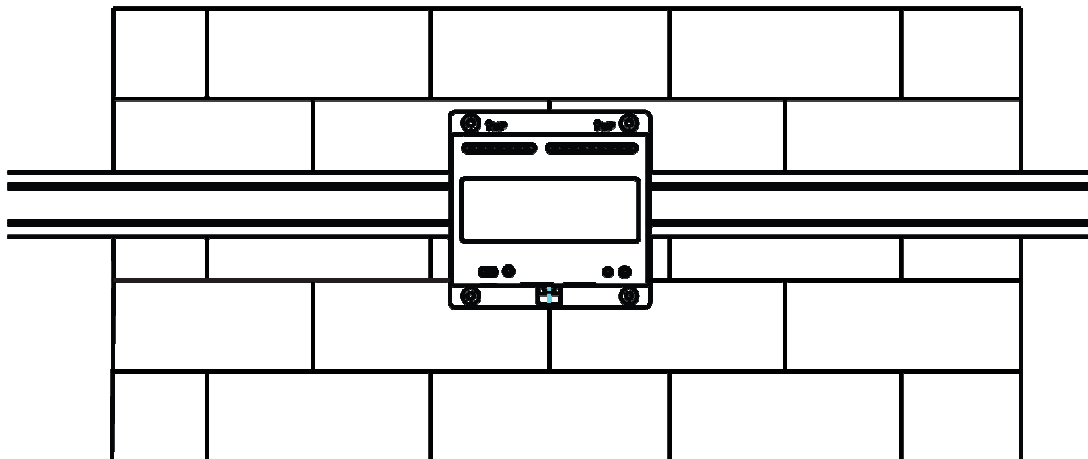


Figure 2- 1

Note:

- Before installation, please make sure the lower buckle is open as in **錯誤! 找不到參照來源。**

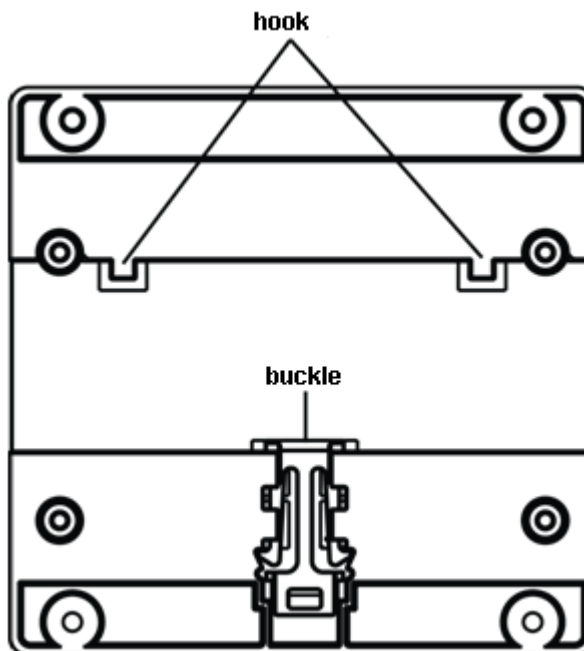




Figure 2- 2

2.2 Wall Mount

2.2.1 Screw

Component	Illustration	Quantity
ST3×18 Cross recessed pan head self-tapping screws - nickel silver		4
White expansion pipe $\varnothing 6\times 30\text{mm}$		4

2.2.2 Installation Steps

- Step 1. Place the device against the wall, mark four holes with a pencil, and dig hole with a electric drill
- Step 2. Insert white expansion pipe into the holes.
- Step 3. Lock the device on the wall with screws, see Figure 2- 3.

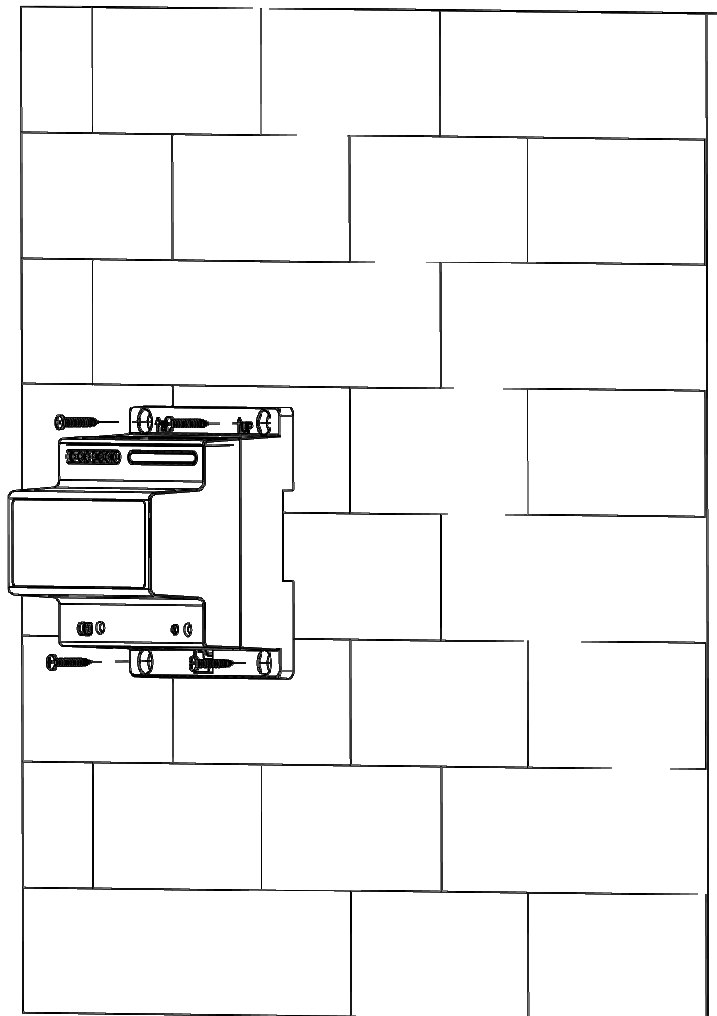


Figure 2- 3

Appendix 1 Technical Specification

Model	ECL-VIPHUB
Power	DC 24V±10%
Consumption	Max consumption(4-CH output full load): 30W
Working Temperature	-10°C ~55°C
Dimension (L×W×H)	108 × 108 × 64 mm
Weight	0.5kg

Note:

- This manual is for reference only. Slight difference may be found in the user interface.
- All the designs and software here are subject to change without prior written notice.
- All trademarks and registered trademarks mentioned are the properties of their respective owners.
- If there is any uncertainty or controversy, please refer to the final explanation of us.
- Please visit our website or contact your local retailer for more information.